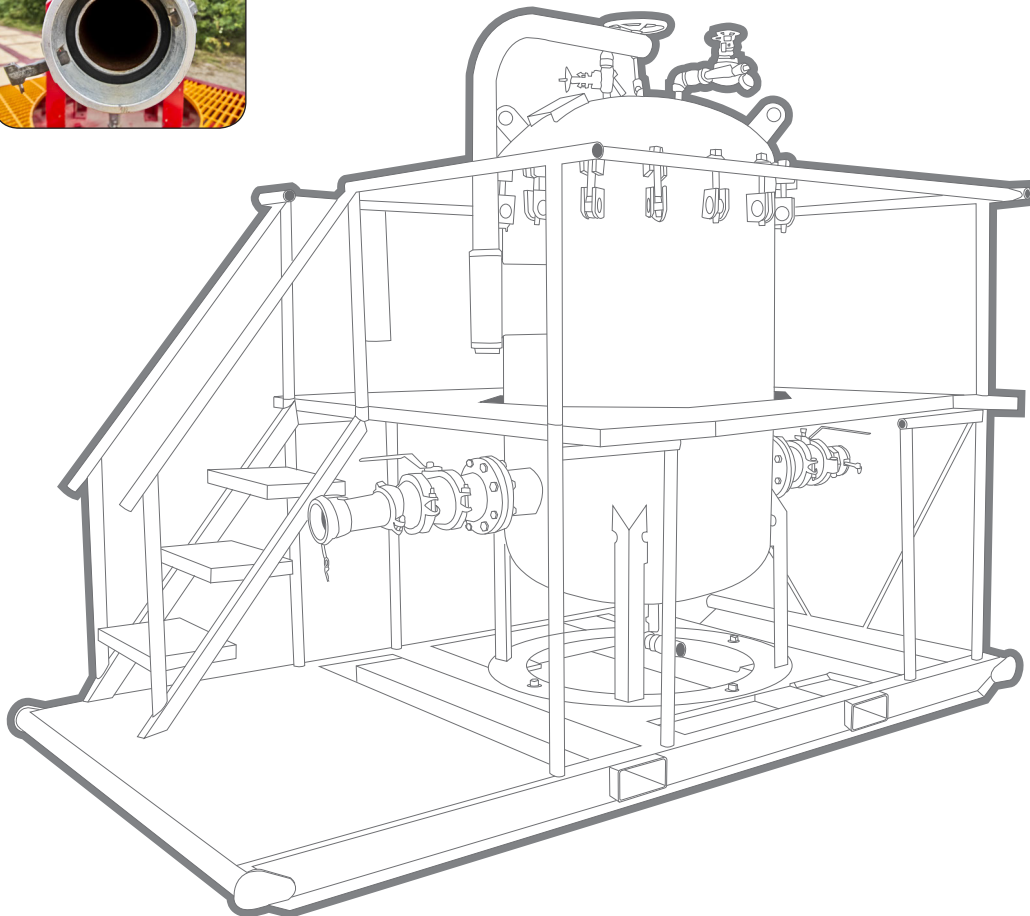




## **FILTER POT**

*Ketek's Filter Pots allow for solids and contaminant removal by bag filter. Bag Filters can be chosen by micron size.*

WATER



### **Features:**

- Easily setup in parallel to increase filtering capacity
- 50 GPM / Bag
- Quick Change Filters

### **Dimensions:**

- Duplex 3 Bag Unit
- 5 Bag
- 8 Bag
- 12 Bag
- 16 Bag
- 20 Bag Heated Building