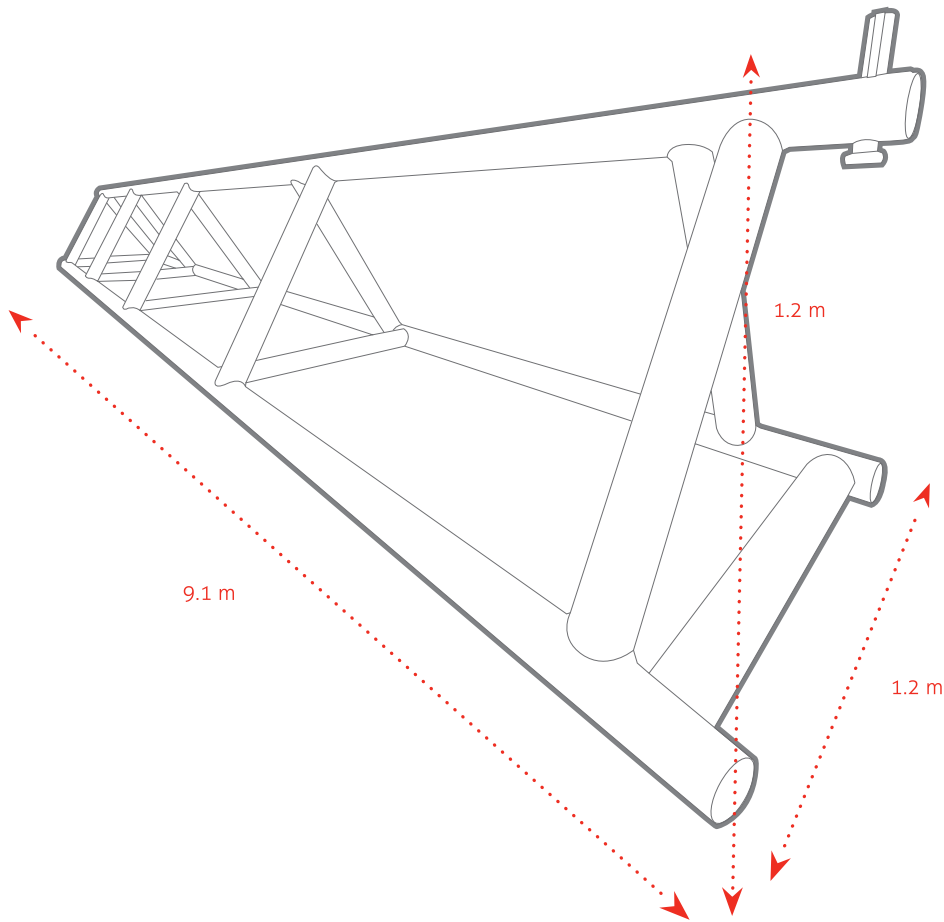




PIPE RACK

Ketek's Pipe Racks offer safe and convenient storage for drill pipe, tubing, casing, and drill collars on location.



Features:

- Bearing capacity 28,000 kg (61,730 lbs) uniformly distributed
- Bearing capacity per set 56,000 kg (123,460 lbs)
- Locking pins prevent pipe from rolling off the pipe rack

Dimensions:

- L 9.1 m (30')
- W 1.2 m (4')
- H 1.2 m (4')
- Weight 1,110 kg (2,450 lbs)

OTHER EQUIPMENT