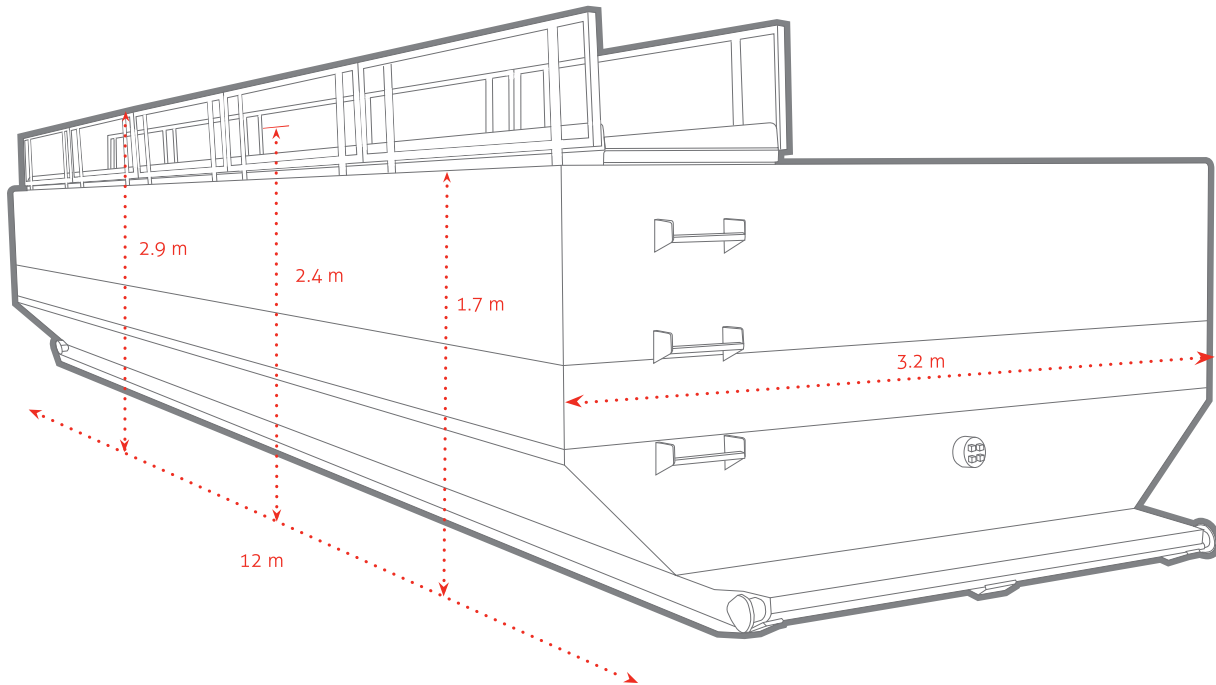




350 BBL SURFACE TANK

Ketek's Surface Tanks are often used for sumless drilling on zero disturbance wells. Three compartments allow for solids settling.

TANKS



Features:

- 350 bbl capacity (55 cubic meters)
- Walk ways with handrails
- Three compartments
- Skid mounted

Dimensions:

- L 12 m (40')
- W 3.2 m (10' 6")
- H₁ 1.7 m (5' 10") Tank Height
- H₂ 2.4 m (7' 11") Rails Lowered
- H₃ 2.9 m (9' 8") Rails Up
- Weight 7,600 kg (16,720 lbs)