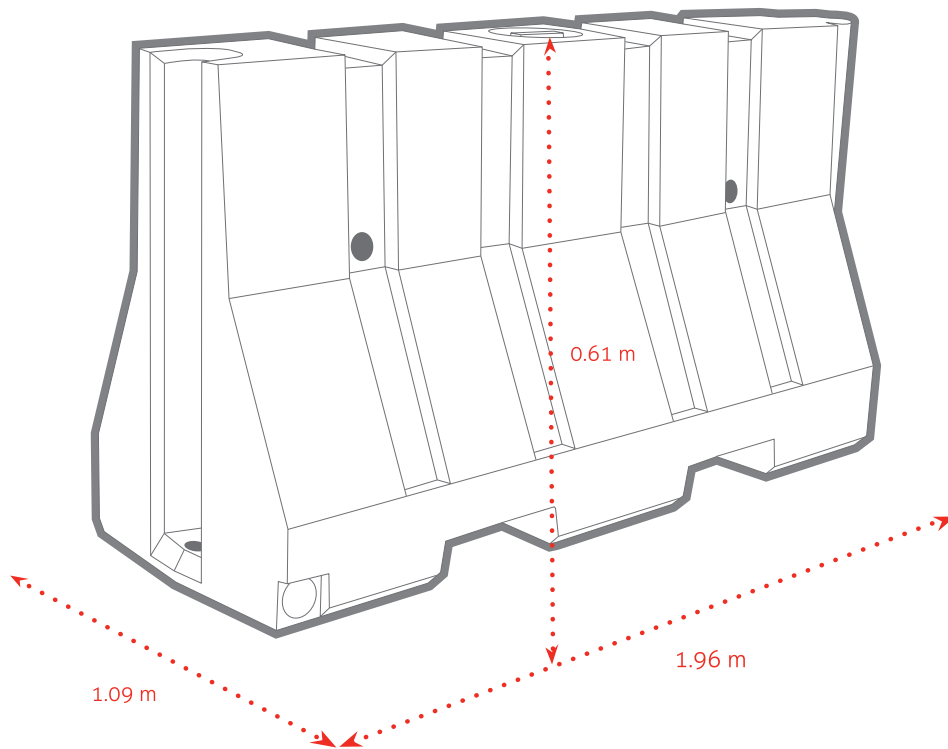




## BERM BLOCKS

An economical alternative to concrete barriers, Ketek's Berm Blocks provide sturdiness, security, high visibility, and optimum portability. They are also used with a liner for spill containment.



### Features:

- Easy to transport, store and set-up
- Bright colour
- Strong and durable, heavy duty
- Water filled option

### Dimensions:

- L 1.96 m (6' 5")
- W 1.09 m (3' 7")
- H 0.61 m (2')