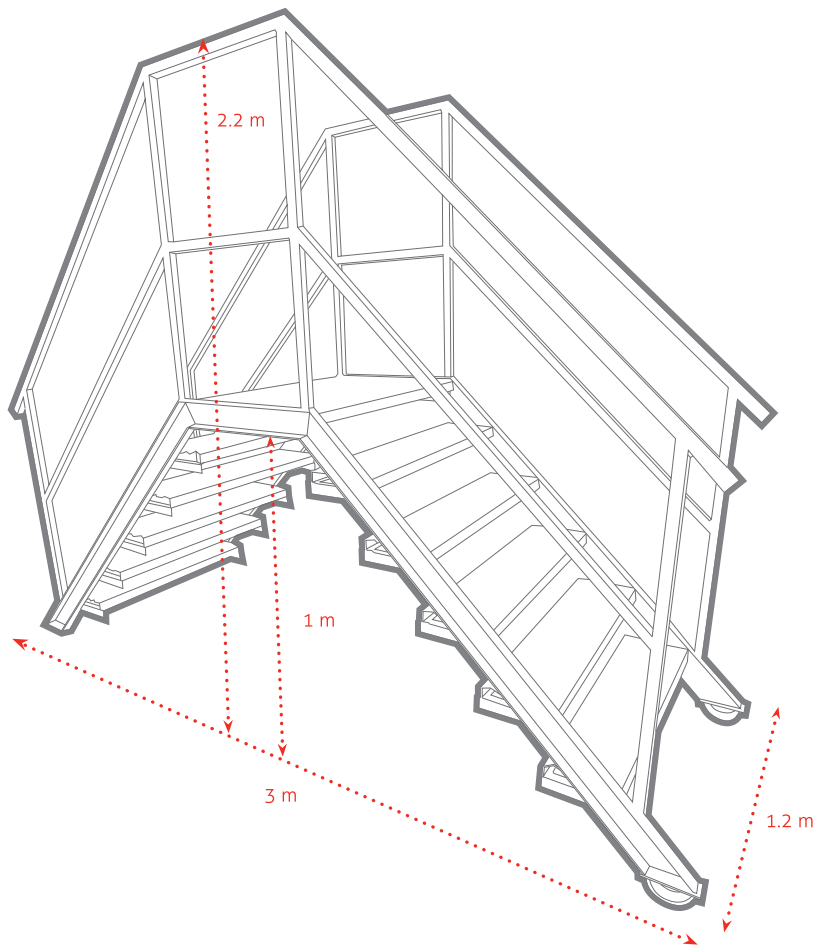




## BERM STAIRS

*Ketek's Berm Stairs provide safe access to and from the tank farm. The Berm stairs prevent potential accidents caused by slipping on the berm liner.*



### Features:

- Design – Engineered
- Accommodates a 1 m (3' 6") high berm
- Side rails
- Base contact plates designed to prevent damage to liner
- Skid resistant treads

### Dimensions:

- L 3 m (10')
- W 1.2 m (4')
- H<sub>1</sub> 1 m (3' 6")
- H<sub>2</sub> 2.2 m (7' 4")
- Weight 168 kg (370lbs)

OTHER EQUIPMENT