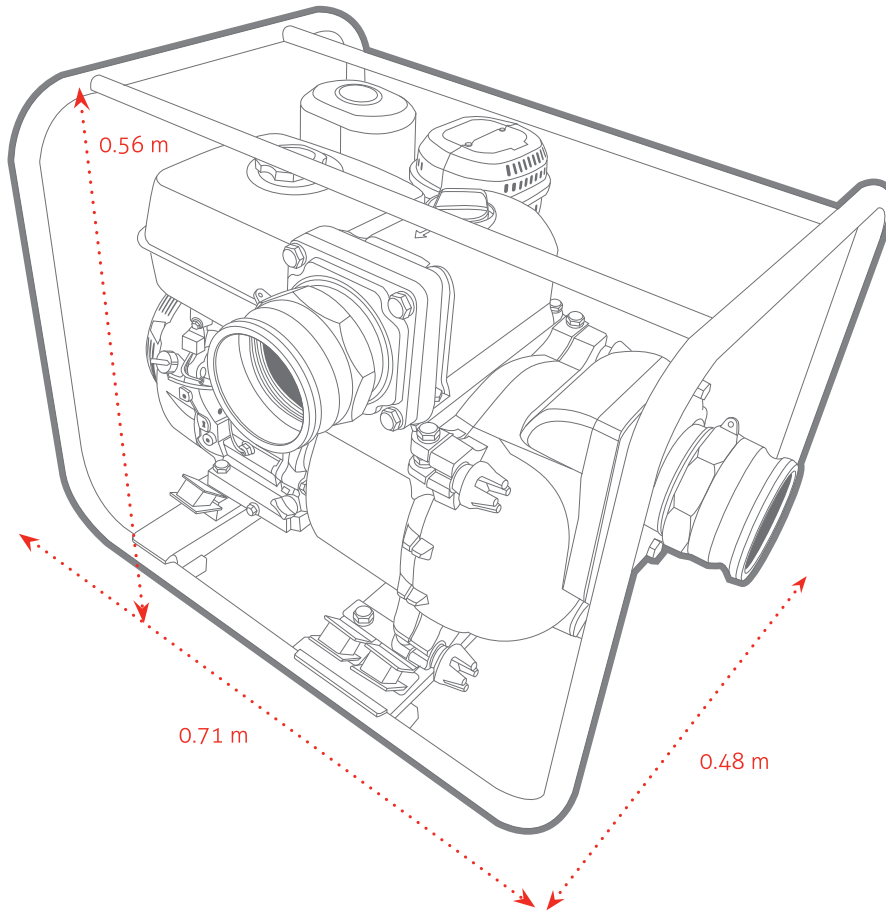




CENTRIFUGAL

If you are within two hundred meters of a water source. The gas driven water and trash pumps are a handy and economical way to provide water for your drilling system and surface water removal.

PUMPS



Features:

- Manual Start
- Gas Driven
- 5.0 to 11 Hp.
- Compact & lightweight for easy handling
- High head (to over 92 ft. (28 m))
- Camlock hose adapters
- Foot Valve
- Suction Screen

Dimensions:

- L 0.71 m (2' 4")
- W 0.48 m (1' 7")
- H 0.56 m (1' 10")
- Weight 68 kg (150 lbs)