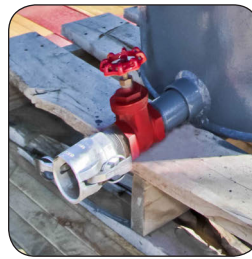
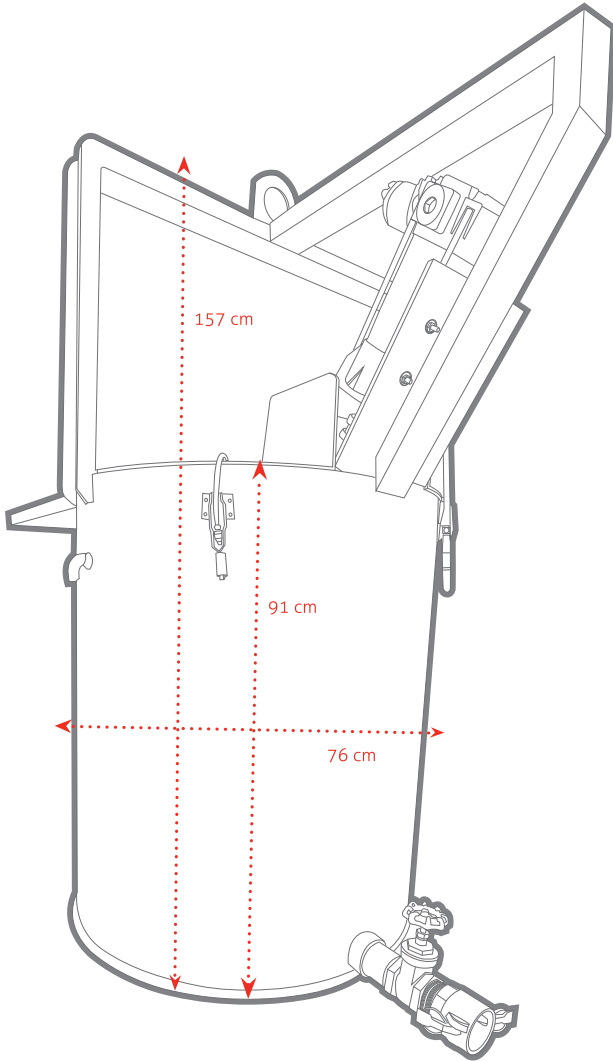




CHEMICAL MIXING BARREL

Ketek's Chemical Mixing Barrel is used to fully mix chemicals to increase the reaction time and strengthen the reaction quality.



FLUID HANDLING

Features:

- Low maintenance explosion proof motor
- Double impellers mounted at an angle to ensure uniform mixing action
- Variable speed motor control (600 rpm – 1800 rpm)
- 115 V

Dimensions:

- Mixing capacity: 330L (90 US gallons)
- Diameter 76 cm (30")
- H₁ 91 cm (36")
- H₂ 157 cm (62")
- Weight 136 kg (300 lbs)