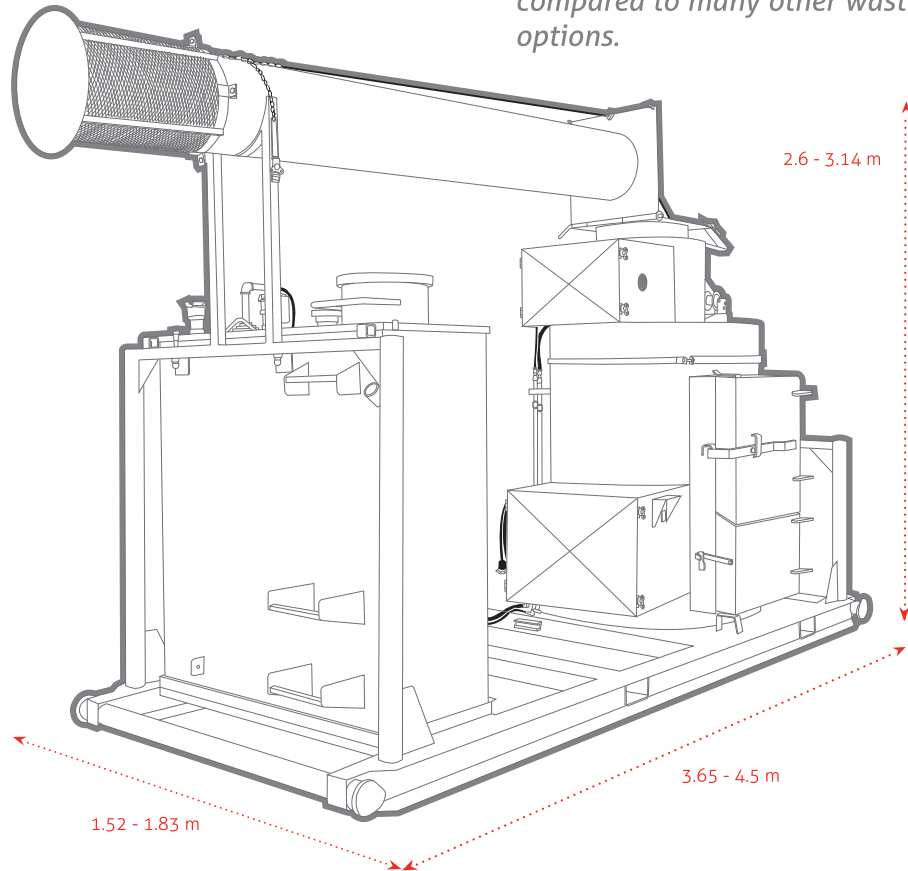




CY2020AFA/CY2050AFA INCINERATORS

Ketek's Forced Air CY2020AFA or CY2050AFA incinerators destroy solid waste (type 1-2-3) efficiently and reduces the risk of contamination to the environment, human and animals. It's safe, environment friendly and reduces greenhouse gas emissions (GHG) as compared to many other waste disposal options.



SOLID WASTE

Features:

- Diesel fired
- 2020 burns approx. 0.6 m³ (50 kg/hr)
- 2050 burns approx. 1.4 m³ (75 kg/hr)
- 110 V single phase
- Air injection
- Skid mounted with fork pockets
- 1,000 L fuel tank
- Folding Stack for transport
- Spark / Flame Arrestor
- Ketek proprietary fuel saver option
- Continuous run cold weather package

Notes: Propane or Natural Gas upon request.

Dimensions:

2020

- L 3.65 m (12')
- W 1.52 m (5')
- H 2.6 m (8' 6")
- Weight 2,700 kg (5,952 lbs)

2050

- L 4.5 m (14' 10")
- W 1.83 m (6')
- H 3.14 m (10' 4")
- Weight 5,000 kg (11,024 lbs)