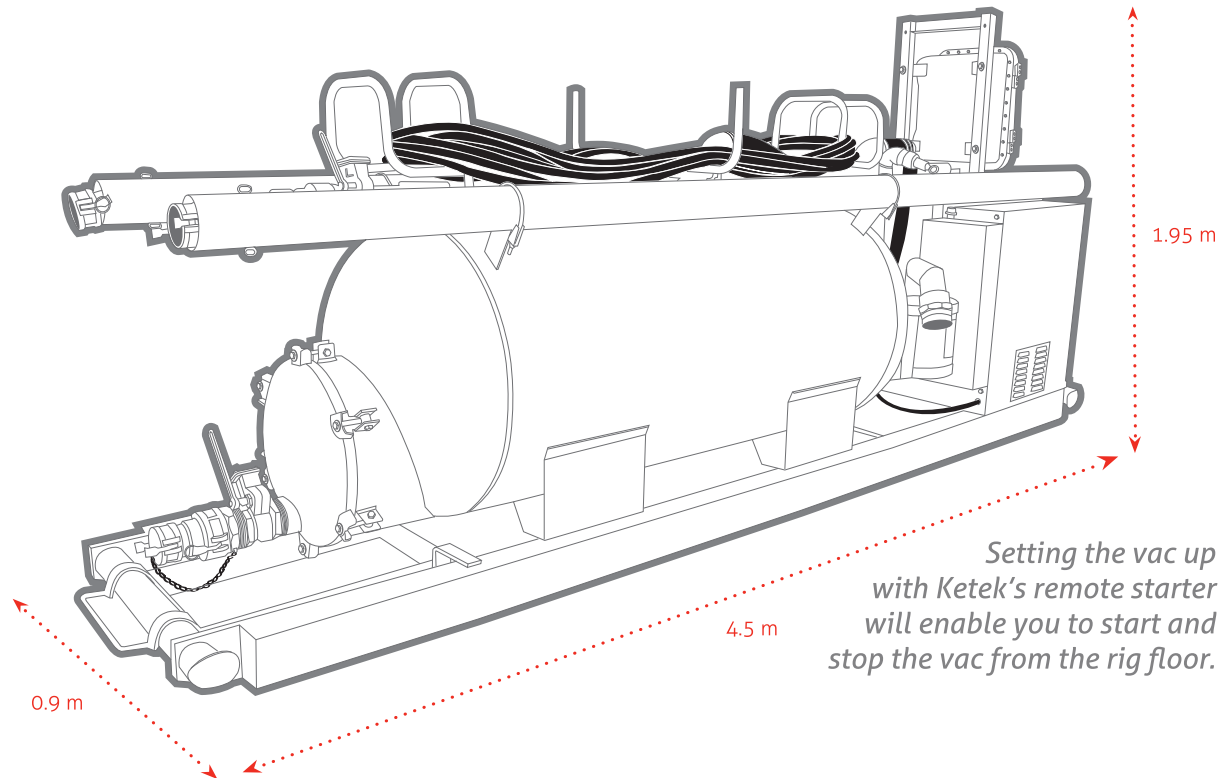




**Enviro Vacuum Shack**  
Ketek's Vac Shack is used in cold weather applications to provide shelter for the Enviro-vac and prevent freezing problems.

## ENVIRO VAC

Ketek's Enviro-Vacuum is used to maintain a clean and safe environment throughout the rig. The optional insulated and steam heated building prevents freezing problems during cold inclement weather and provides storage for all hoses and accessories for the vac.



Setting the vac up with Ketek's remote starter will enable you to start and stop the vac from the rig floor.

### Features:

- 30m (98' 5") x 51mm (2") suction
- 24m (78' 8") x 76mm (3") discharge
- Vacuum wand and stem
- Vacuum valve station (optional)
- Enviro-vac Shack (optional)
- 230/460/575 Volt, 3 phase, 60 amp

#### Enviro Vacuum Shack

- Insulated walls
- 110 volt steam heater
- Skid mounted
- Explosion proof fluorescent lighting

### Dimensions:

- Weight 1,496 Kg (3,300 lbs)
- L 4.5 m (14' 9") x W 0.9 m (3') x H 1.95 m (6' 5")

#### Enviro Vacuum Shack

- Weight 4,000 Kg (8,800 lbs)
- Outside dimensions  
L 6.24 m (20' 6") x W 2.16 m (7') x H 2.74 m (9')

FLUID HANDLING