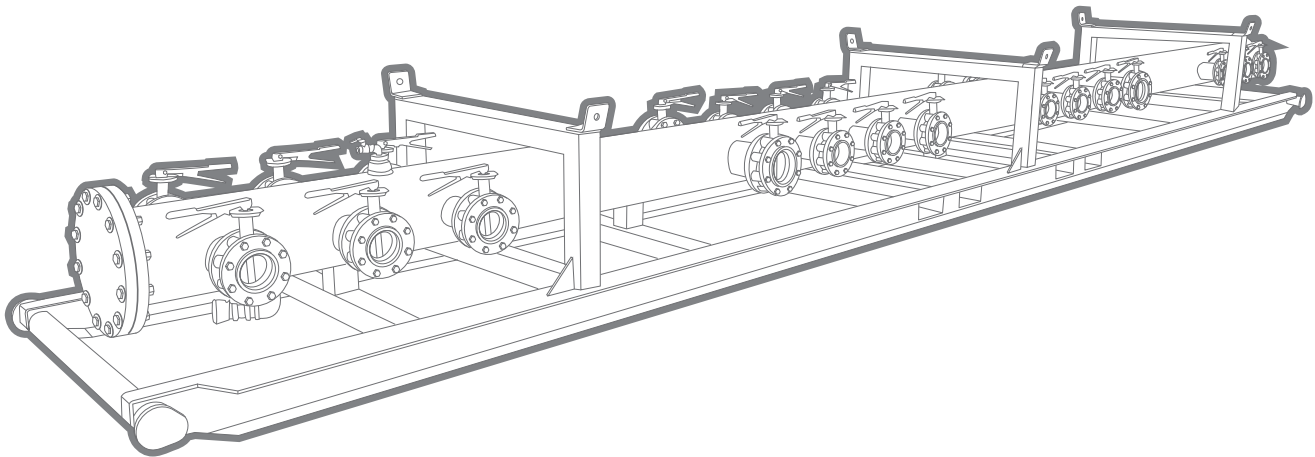




FRAC MANIFOLD

Ketek's Manifolds are used to distribute flow or combine multiple lines. Sizes range from 6" to 20", various valving can be configured.

WATER



Features:

- Hub of water transportation
- Easy connections (Cam Lock or Groove Lock)
- Different line sizes
- Lifting pockets
- Can be installed in series to increase capacity for distribution to multiple tanks

Dimensions:

- 0.3 m (1') x 2.44 m (8')
- 0.3 m (1') x 9.75 m (32')