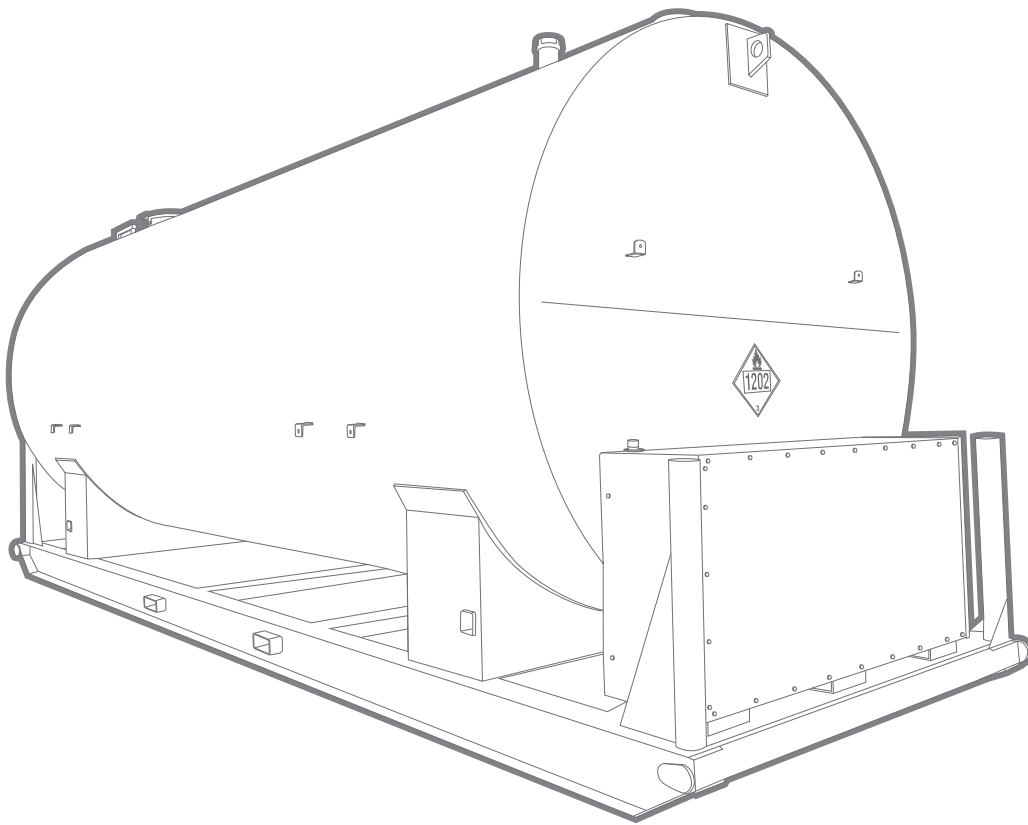




FUEL TANK

Store all needed fuel on site with Ketek's wide array of fuel storage tanks. With capacities between 450 L and 50,000 L we have the size you'll need for your job site.



FUEL STORAGE

Features:

- 12 V or 120 V dispensing pumps
- Store gasoline or diesel
- Double walled
- Fire extinguisher

Dimensions:

Capacity	Length (L)	Width (W)	Height (H)	Weight
4,500 l	4.72 m (15' 6")	1.27 m (4' 2")	2.29 m (7' 6")	952 kg (2,100 lbs)
10,000 l	6.43 m (21' 1")	1.61 m (5' 3")	2.44 m (8')	1,995 kg (4,400 lbs)
50,000 l	10.6 m (34' 8")	3.02 m (9' 11")	4.01 m (13' 2")	9,979 kg (22,000 lbs)