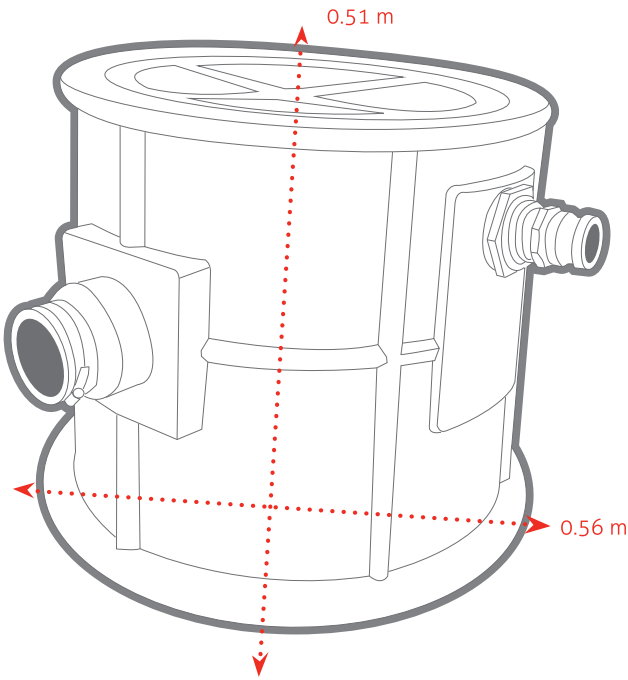




LIFT STATION

Ketek's Lift stations, also called pumping stations, contain pumps, valves, and electrical equipment necessary to move liquids (usually water, wastewater, or sewage) from low to high elevation. They may be used to transfer liquids from source to ketek's storage solutions.



Features:

- *Hydraumatic Pump 115 V / 12.6 Amp / 0.4 HP*
- *Inlet 3" / Discharge 2"*
- *At 2" Discharge the capacity of the lift station is 21 GPM*

Dimensions:

- *Diameter*
0.56 m (1' 10") outer
0.46 m (1' 6") inner
- *H 0.51 m (1' 8")*

SEWAGE WASTE