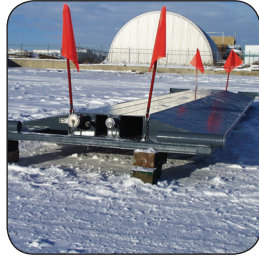


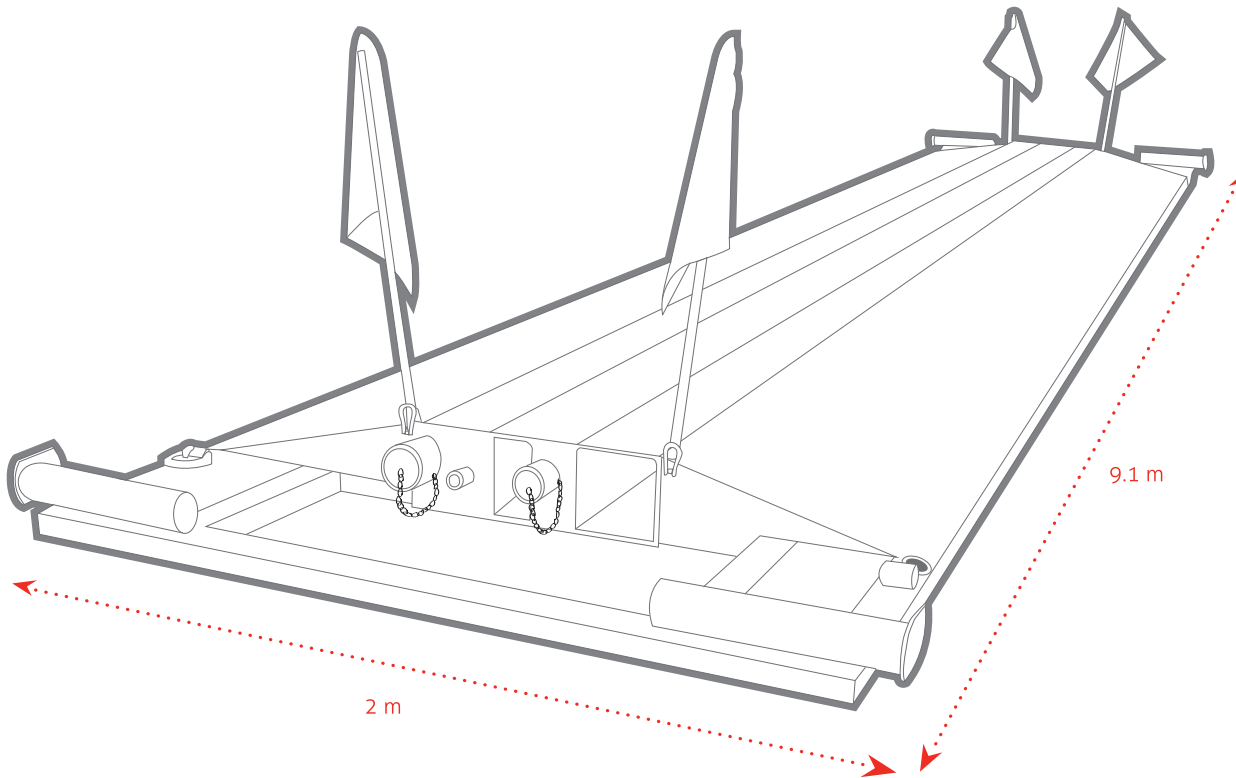


**KETEK**  
GROUP



## LINE CROSSINGS

*Ketek's Line Crossings are used for protecting pipes, cables and hoses where traffic crossings are required. Ketek Crossings can be quickly placed across a roadway and anchored at each end.*



### Features:

- 1", 2", 3" - 30' Regular Flow
- Delineation markers
- Cable track (optional)

### Dimensions:

- L 9.1 m (30')
- W 2 m (6' 7")
- Weight 3,474 kg (7,660 lbs)

FLUID HANDLING