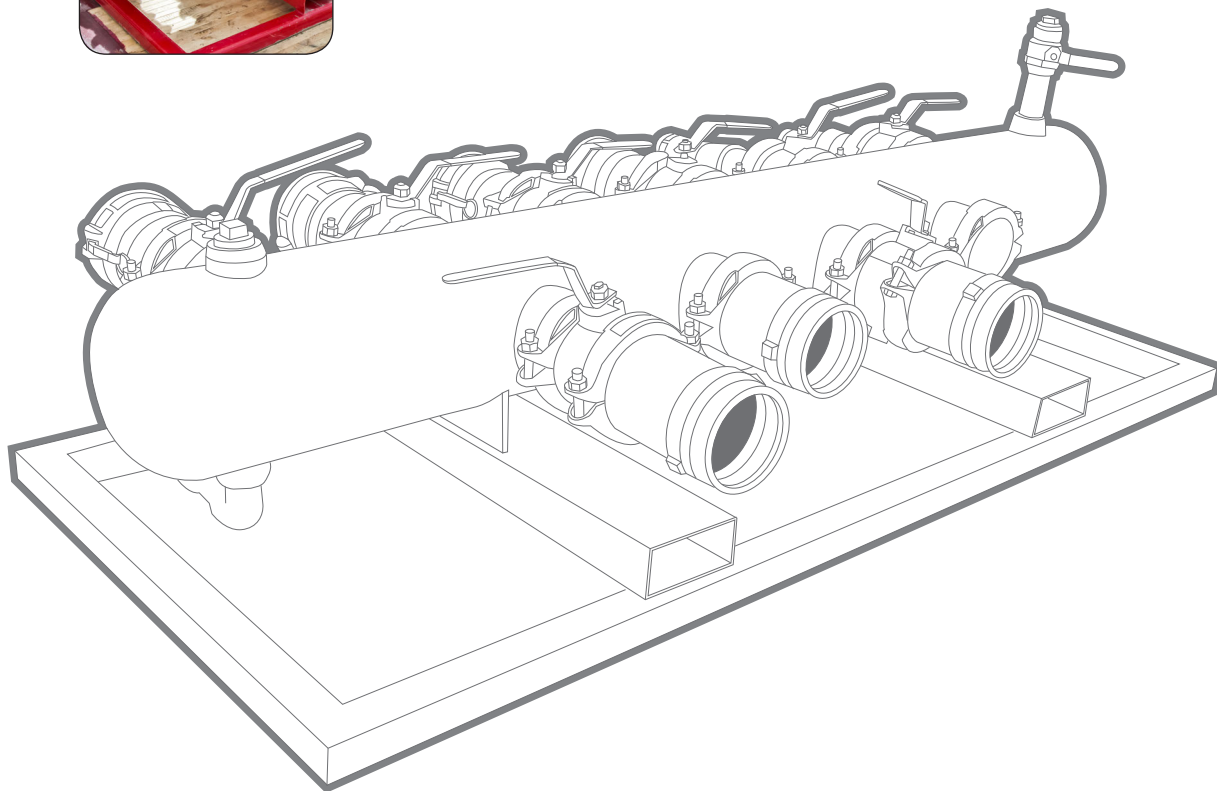




## MANIFOLD

*Ketek's Manifolds are designed to distribute flow or combine multiple lines.*

WATER



### Features:

- Hub of water transportation
- Easy connections (Cam Lock or Groove Lock)
- Different line sizes
- Fork pockets

### Dimensions:

- 0.152 m (6") x 1.83 m (6')
- 0.254 m (10") x 1.83 m (6')
- 0.254 m (10") x 9.14 m (30')
- 0.5 m (1' 8") x 6.4 m (21')