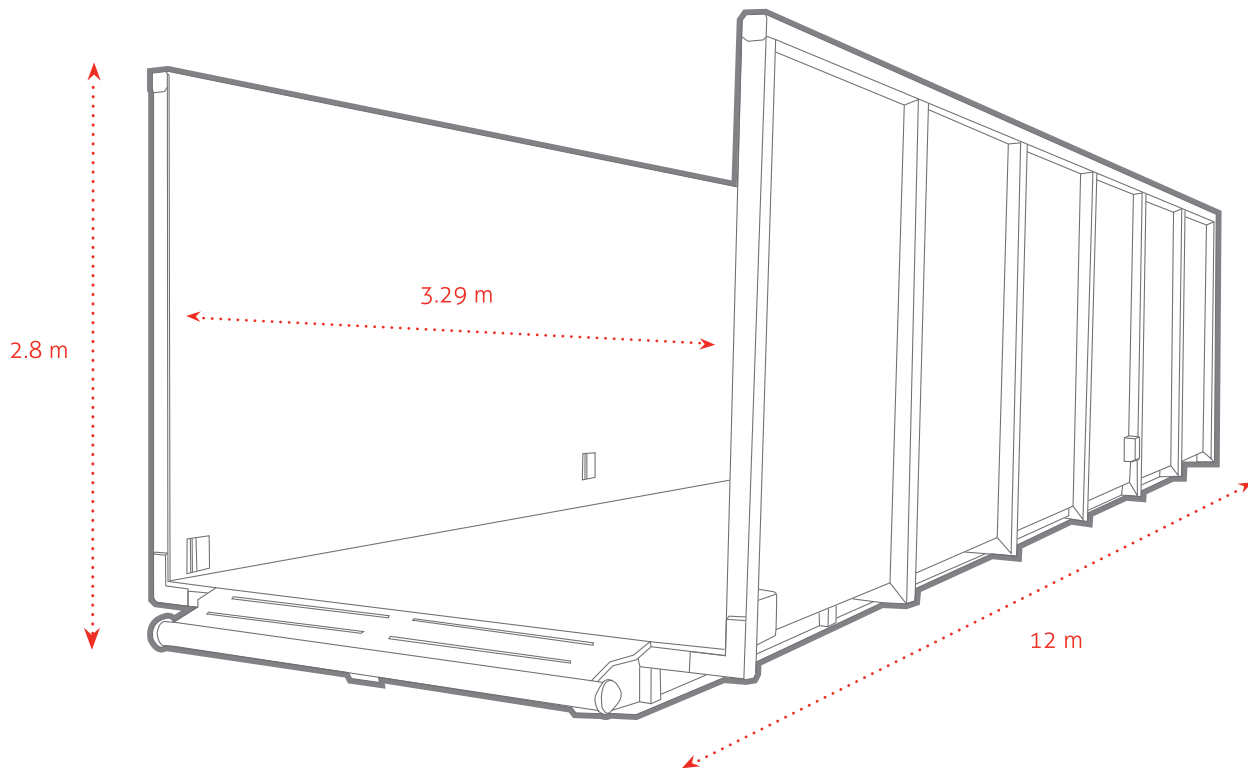




MIXING TANK

Ketek's Mixing Tank is used to blend sawdust and woodchips with wet shale. Shale can then be hauled away for compost/disposal.

TANKS



Features:

- Skid mounted
- Heavy gauge steel construction
- Internal tie off points for securing additional equipment during transport

Dimensions:

- L 12 m (39')
- W 3.29 m (10')
- H 2.8 m (9')
- Weight 11,947 kg (26,340 lbs)