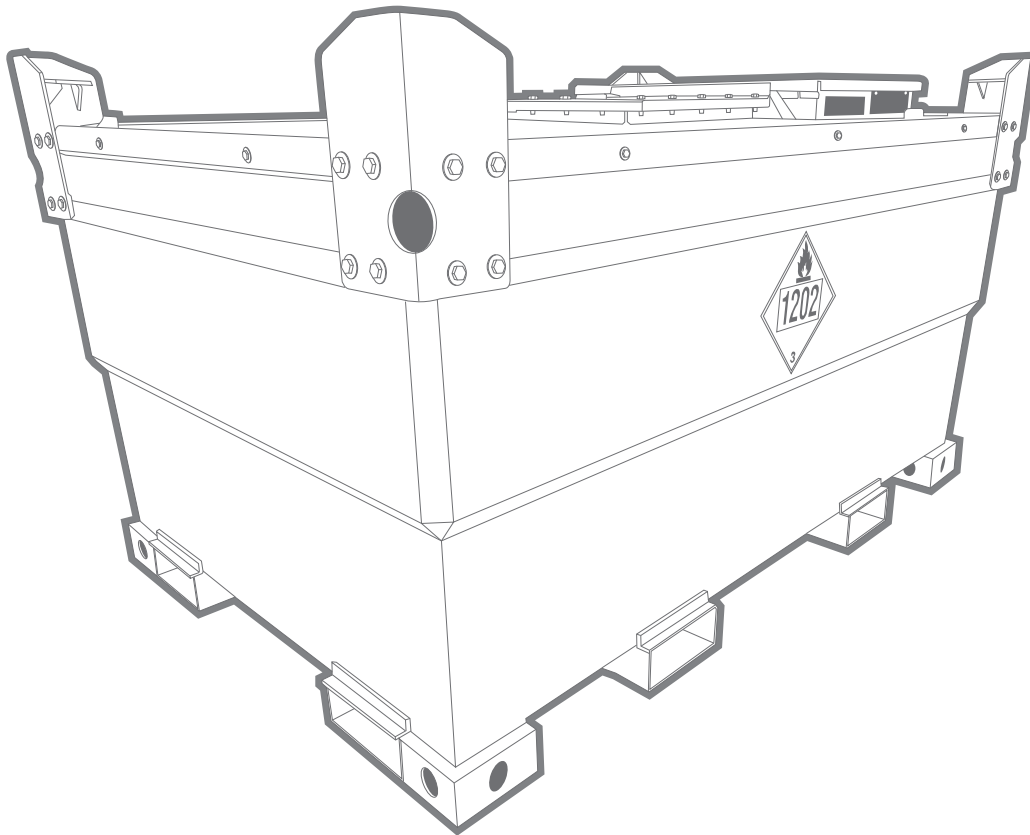




TRANS CUBE

With the Ketek Trans Cube there is no need to empty the tank before transportation away from site. As well they can be stacked to save on mobilization costs. As an auxiliary fuel tank it provides longer engine running time reducing number of site visits required for refuelling.



FUEL STORAGE

Features & Dimensions

Capacity	Length (L)	Width (W)	Height (H)	Weight Empty	Weight Full
1,000 l	1.15 m (3' 10")	1.15 m (3' 10")	1.32 m (4' 4")	514 kg (1,118 lbs)	1,377 kg (2,994 lbs)
2,000 l	2.3 m (7' 6")	1.15 m (3' 10")	1.32 m (4' 4")	865 kg (1,825 lbs)	2,665 kg (5,774 lbs)
3,000 l	2.3 m (7' 6")	1.55 m (5' 1")	1.32 m (4' 4")	992 kg (3,576 lbs)	3,692 kg (12,235 lbs)
4,700 l	2.3 m (7' 6")	2.3 m (7' 6")	1.32 m (4' 4")	1,625 kg (3,576 lbs)	5,560 kg (12,235 lbs)