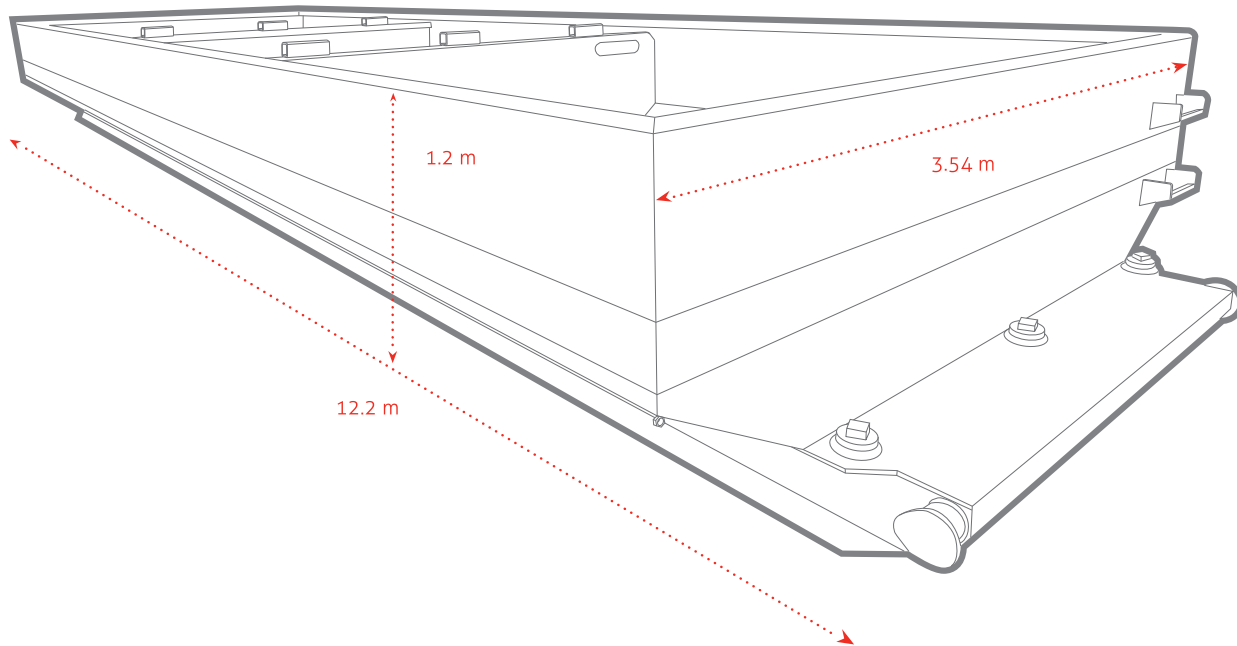




250 BBL SURFACE TANK

Ketek's Surface Tanks are often used for sumpluss drilling on zero disturbance wells. Three compartments allow for solids settling.

TANKS



Features:

- 250 bbl capacity (40 cubic meters)
- Three compartments
- Skid mounted

Dimensions:

- L 12.2 m (40')
- W 3.54 m (11' 7")
- H 1.2 m (4')
- Weight 6,700 kg (14,770 lbs)