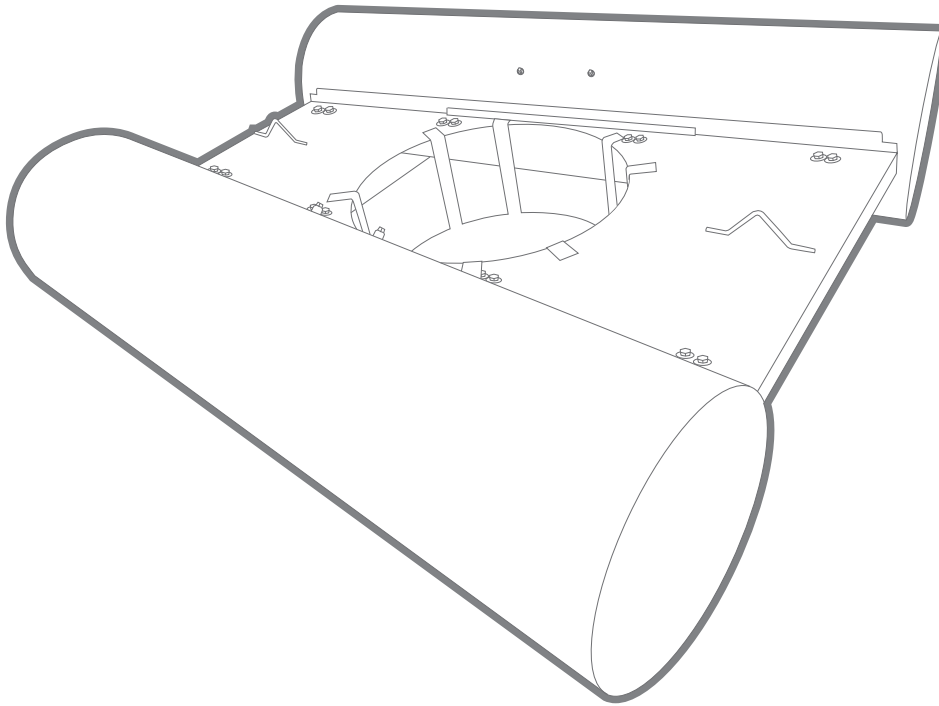




FLOAT

Utilize Ketek's Floats to elevate our submersible pumps to the surface of the water eliminating solids build up on the intake of the pump and providing access to the cleanest water.

PUMPS



Features:

- 2" - 10" Floats
- Float Baskets c/w fish screen
- Compatible with Ketek Submersible Pump Line

Dimensions:

Size	Length (L)	Width (W)	Height (H)
2"	0.78m (2' 7")	1.04m (3' 5")	0.28m (11")
4"	0.78m (2' 7")	1.27m (4' 2")	0.66m (2' 2")
6"	1.83m (6')	1.17m (3' 10")	0.91m (3')
10"	2.26m (7' 5")	2.24m (7' 4")	1.27m (4' 2")
10" Basket	2.45m (8')	3.18m (10' 5")	1.78m (5' 10")