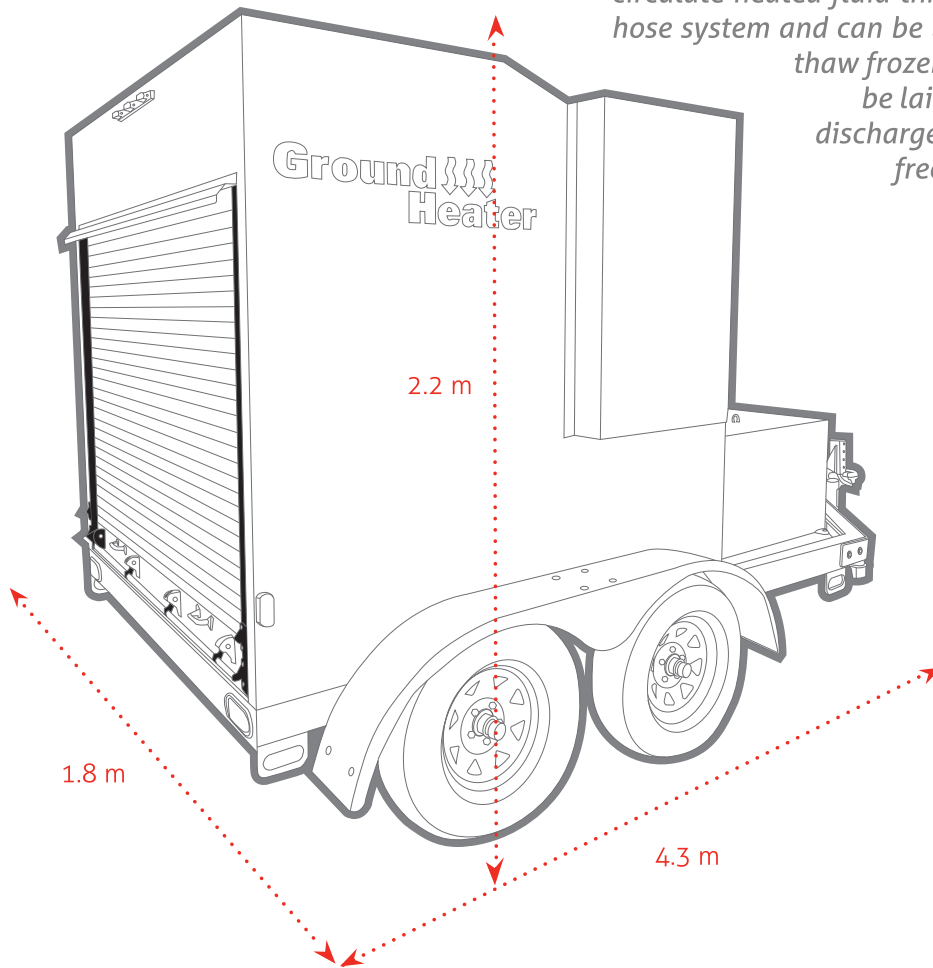


## GROUND HEATER

*Ketek's Hydronic Ground Heaters are designed to quickly, easily and economically thaw frozen ground, cure concrete, prevent frost and provide temporary air heat during cold weather conditions. These Hydronic heaters circulate heated fluid through a flexible hose system and can be laid in a grid to thaw frozen ground or can be laid along a water discharge line to prevent freeze up in winter conditions.*

HEATING



### Features:

- Positive displacement pump provides maximum flow and consistent heat delivery for thawing and curing.
- Unit features 83% heater efficiency
- Optional Hose Reel (E1100 only)

### Dimensions:

- E1100**
- L 2.9 m (9' 6") x W 1.65 m (5' 5") x H 1.55 m (5' 1")
  - Weight 1,040 kg (2,280 lbs)
  - 1,100' of hose

- E3000**
- L 4.3 m (14' 2") x W 1.8 m (5' 11") x H 2.2 m (7' 3")
  - Weight 2,359 kg (5,200 lbs)
  - 3,000' of hose (2 x 1,500')