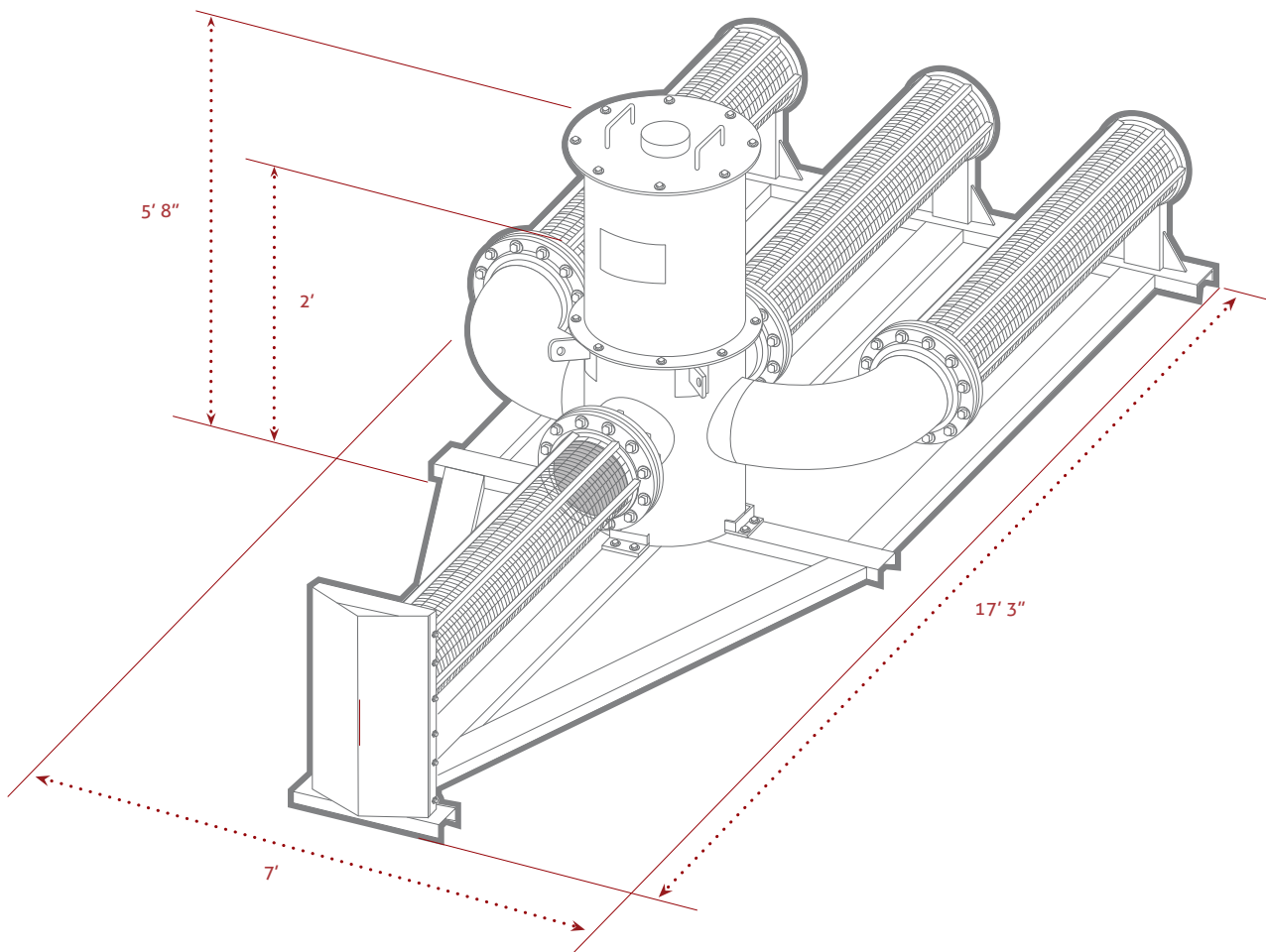




TRIDENT FISH SCREEN

A low profile option for electric submersible pumps which meets your high volume needs. Compatible with Ketek's 58hp High Volume submersible.



FISH SCREEN

Features:

- ~9.59m³/min
- Minimum depth: 2' 6"
- Compatible with 58hp submersible pump
- 2,030 lbs (without pump)

Dimensions (Newest Model)

- Total height – 5' 8"
- Screen height – 2'
- Width – 7'
- Length – 17' 3"